

Specifications

RESPONSE

Frequency Response (-10 dB).	60 - 18000 Hz
Frequency Range with Preset.	60 - 18000 Hz
Coverage H.	90°.
Coverage V.	40°.
Nominal Impedance.	8 Ohms.
Power AES.	600 W.
Program Power.	1.200 W.
Máx. SPL (dB SPL @ 1 m.).	128 / 134.
Transducers HF.	1 X driver 1".
Transducers LF.	1 x 10".

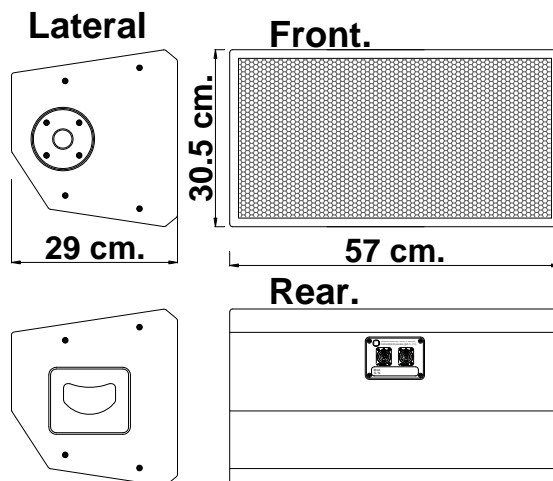
ENCLOSURE

Dimensions.	Plywood.	57 x 30,5 x 29 cm.
Net Weight.		14 kg.
Finish painted.		Warnex ® Black.
Grill perforate steel.		Foam backed.
Connectors.		2 NL4.
Rigging.		Optional.
Handles.		Yes.
Floor stand.		Yes.
Mounting pole cup.		Yes.

Photo



Cad.



Aplicaciones / Applications

- El **STAR-110** es una unidad de refuerzo sonoro de múltiples aplicaciones, puede funcionar como módulo de un sistema "Array", como monitor de suelo y montado sobre una unidad de subgraves.

- La robustez del sistema de elevación le permite suspender 20 unidades con un amplio margen de seguridad.

- El mecanismo de angulación sencillo, puede desmontarse, extrayendo los pasadores que lo sujetan.

- Incorpora un asa para el transporte y un vaso para acoplar un soporte de elevación.

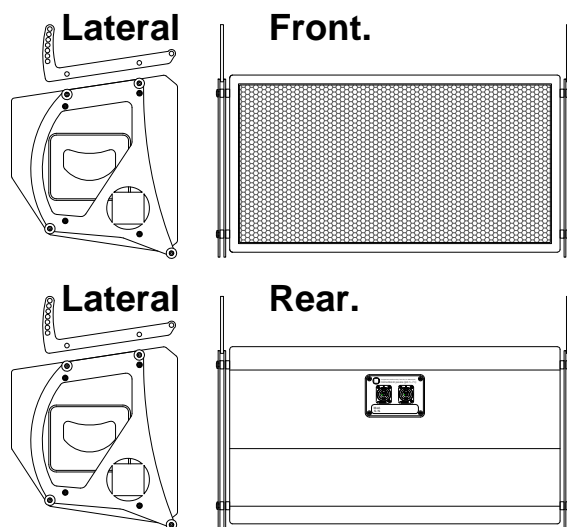
- The **STAR-110** is a unit with various applications in the field of the sound reinforcement. As modular element in an "array" system; and also as floor monitor due to its shape optimized design.

- The robustness of the elevation system allow us to rig up to 20 units of **STAR-110** with a great margin of security.

- The angles mechanism is easy to use and it can be disarmed by simply extracting the pin.

- This series incorporates a side build-in handle for easy transport and mounting pole cup for a stand support.

HARDWARE



Basic configuration