

SISTEMA DE MEGAFONÍA DE MÚLTIPLES APLICACIONES.



**Specifications**

**RESPONSE**

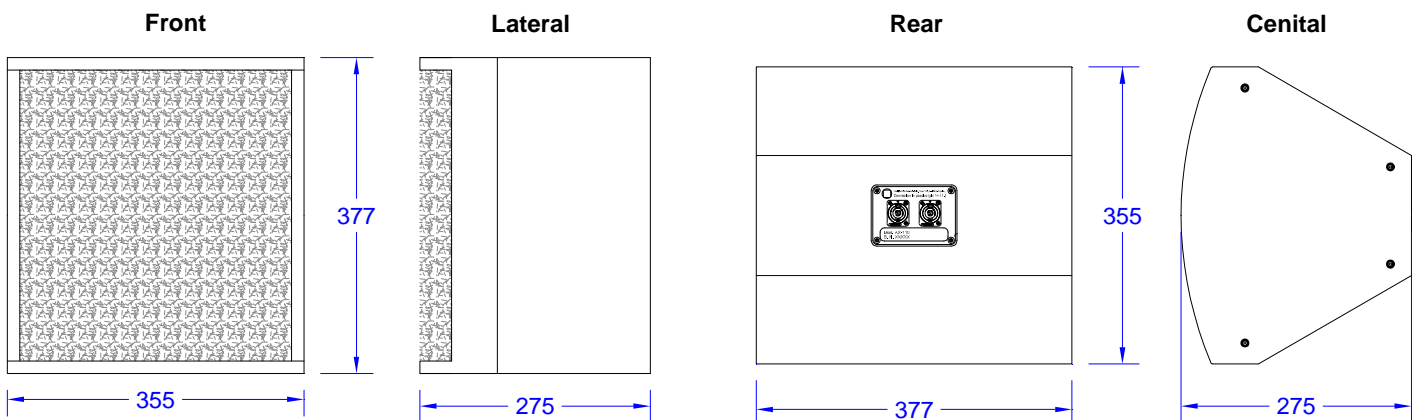
Frequency Range with Preset	80 - 16.000 Hz
Coverage H x V	90° Conical
Power AES	250 W.
Program Power (Amplifier) music signal (CLIP)	500 W.
Máx. SPL (dB SPL @ 1 m.)	127 / 133
Transducers	1 x 12"

**ENCLOSURE**

Net Weight	8 kg.
Finish painted	Warnex ® Black
Grill perforate steel	Foam backed
Connectors	2 x NL4



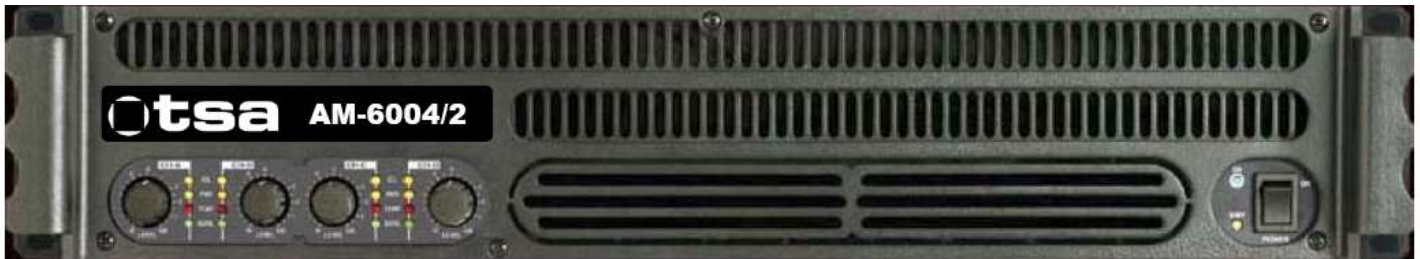
**Dimensions (mm.)**



**Configuration.**



**Technical specifications**



**Frequency Response:** (power bandwidth  $\pm 0.25\text{dB}$ ): 20Hz-20kHz

**Phase Response:** (@1W 20Hz-20kHz):  $\pm 15\text{deg}$

**Total Harmonic Distortion:** (20Hz-20kHz):  $< 0.05\%$

**Intermodulation Distortion:** (SMPTE):  $< 0.05\%$

**Damping Factor:** (20Hz-500Hz @8ohm):  $> 500$

**Crosstalk:** (20Hz-20kHz):  $> 75\text{dB}$

**Voltage Gain:** (selectable): 26/32/38 dB

**Protections:** Soft-start, Turn-on Turn-off transients, Muting at turn-on, Over-heating, DC, RF, Short-circuit, Open or mismatched loads, Overloaded power supply, ICL™, PMS™, SSP™

**OUTPUT POWER AM-6004/2**

**2 ohm:** 4x1500W

**4 ohm:** 4x1000W

**8 ohm:** 4x620W

**Bridge @ 4ohm:** 2x2880W

**Bridge @ 8ohm:** 2x2000W

**Dimensions:** 483x88.9x310 mm.

**Weight (Net):** 8.6Kg-18.9Lbs

**Technical specifications DSP44**

**Standard Signal Inputs Module:** The AM Series amps are equipped as standard with twin Neutrik® XLR, doubled by two other XLR connectors for linking purposes. In the 4 Channel models an XLR input per channel is provided with the signal linking facility.

**Analog Processor Module:** permits a very easy, user-friendly signal processing to enable the amp to set up a bi-amp system without any other outboard device. These are the Processor's main characteristics:

- 2-way stereo crossover (dual mono or single bridged sub output)
- 24dB/oct Linkwitz-Riley configurable crossover (90, 100 o 120Hz)
- Adjustable attenuation in the High-pass outputs (-3, -6 or -9dB)
- Adjustable Limiter, relative to Max. Output (-3, -6 or -9dB)

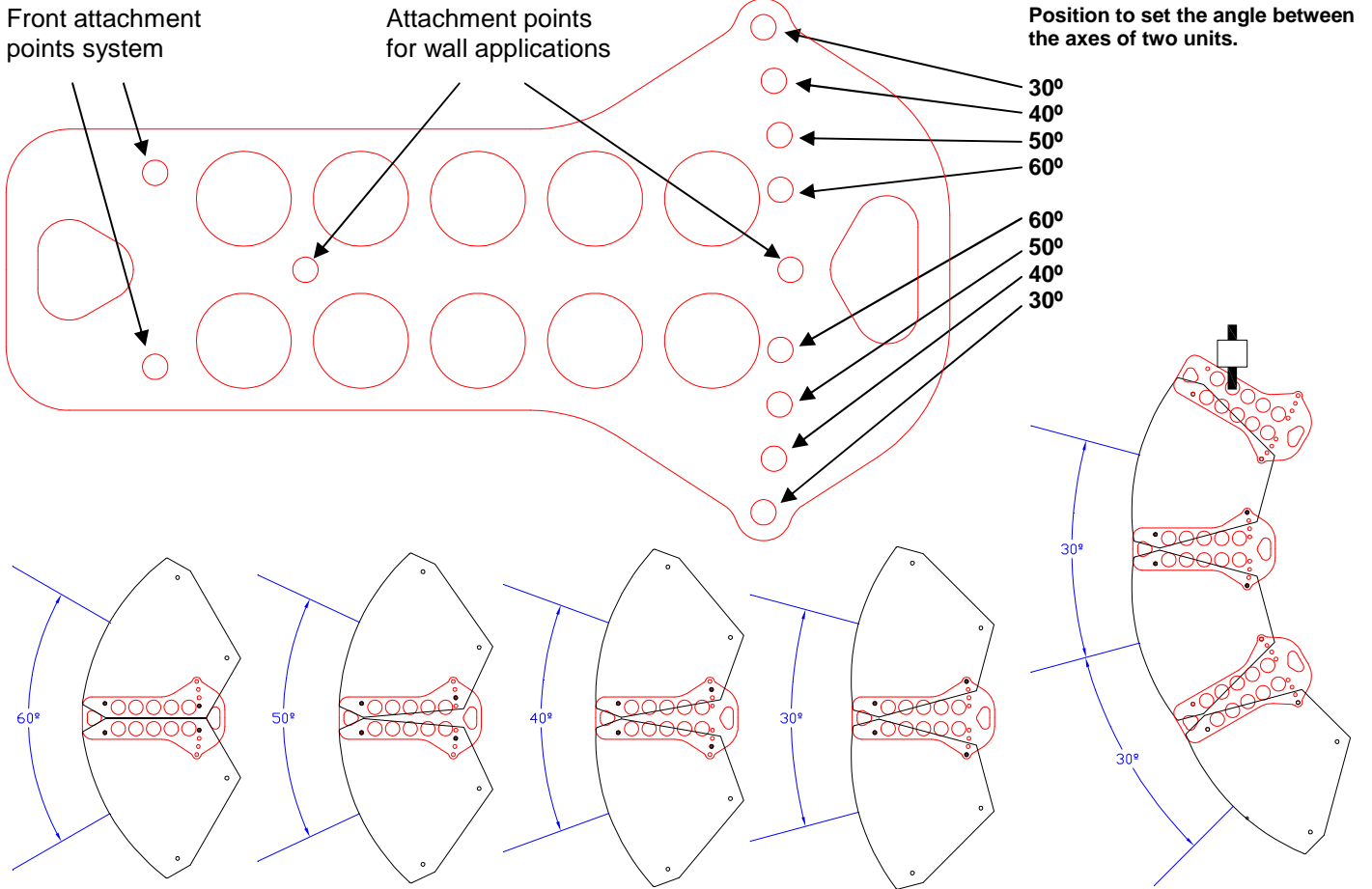
**DSP44\_S Module:** Digital Signal Processor fully programmable through an USB port.

These are the Processor's main characteristics:

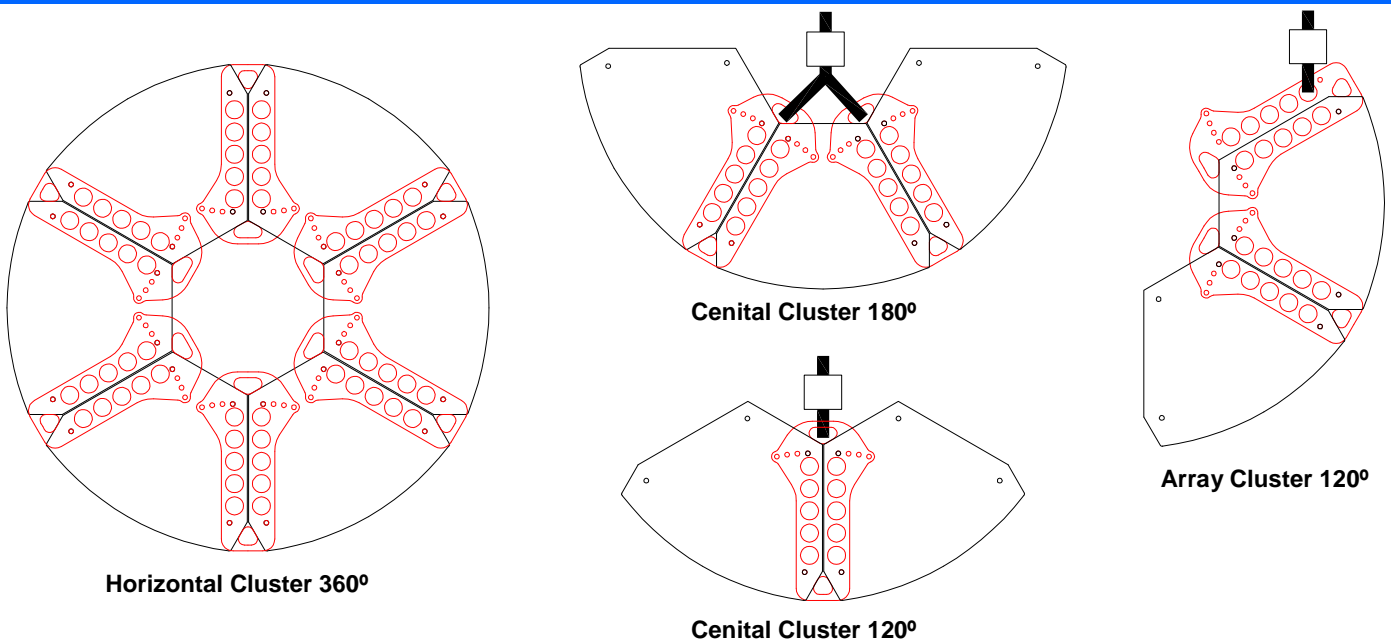
- 4 Inputs/4 Outputs or 2 In/2 Out free route configurable.
- 24 bits/192 kHz 256x Oversampling Converters.
- Output Delay: 0 to 7.1 meters (20.69ms) per channel.
- X Over: Up to 48dB/oct Butterworth, Linkwitz—Riley and Bessel.
- EQ: 9 filters per channel (Parametric, Shelving, LP,HP,BP,SB).
- Gain, Mute and Phase inversion per channel.
- RMS Power and Peak Voltage output limiter per channel.
- Real Time operation from USB or front panel configuration.



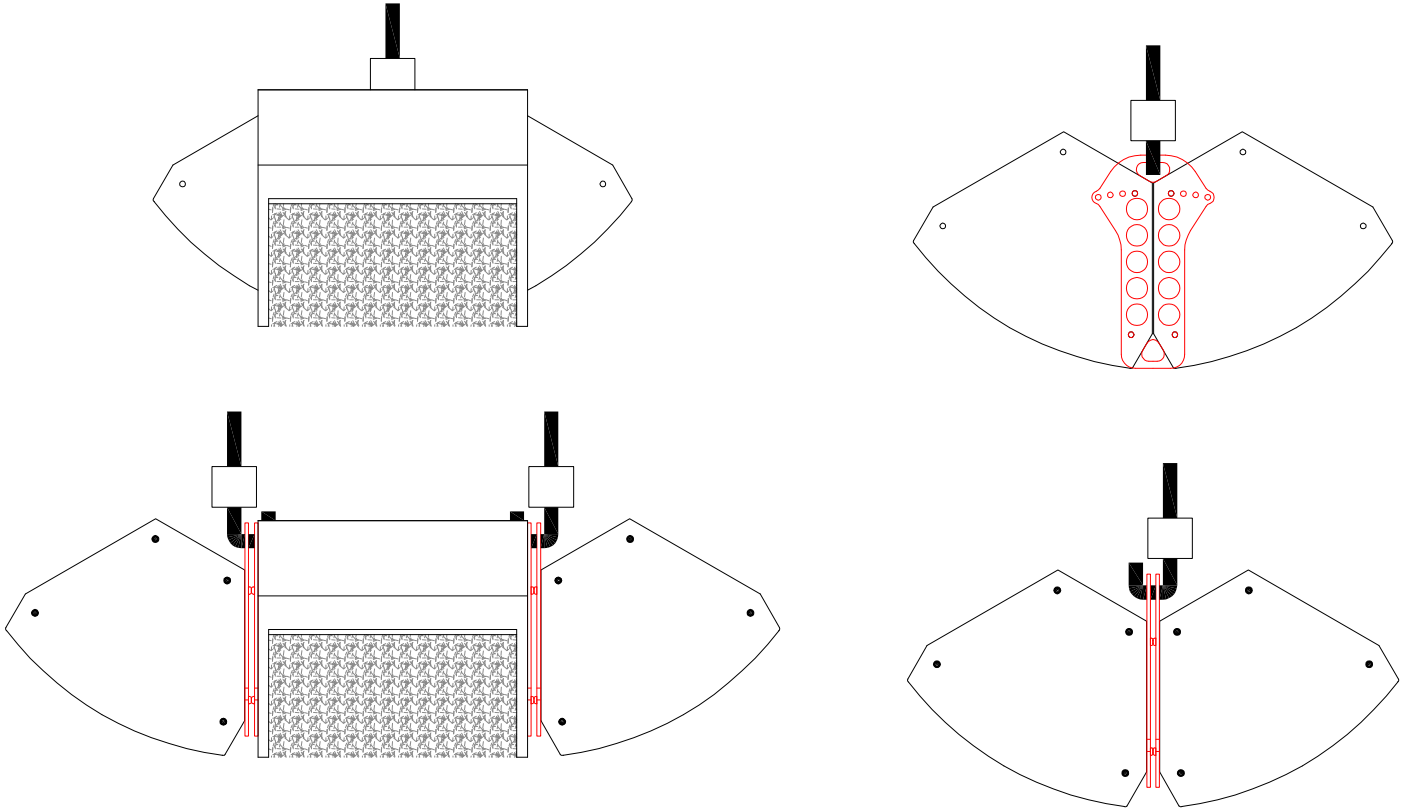
**Control cluster angles**



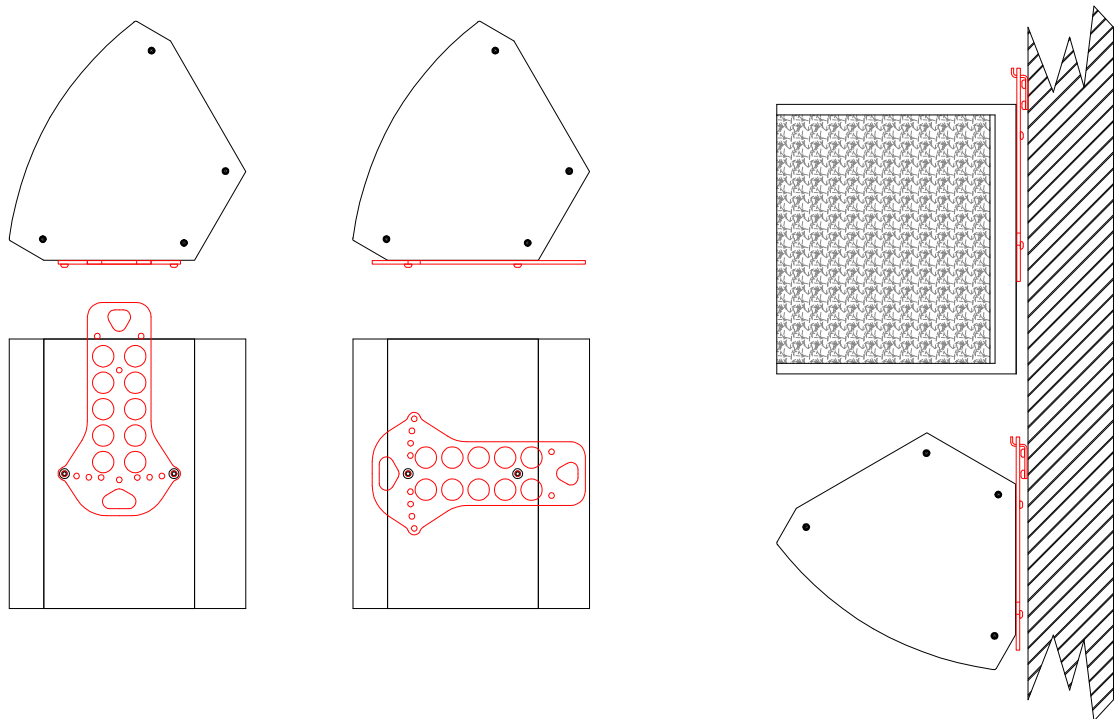
**Cluster Configuration.**



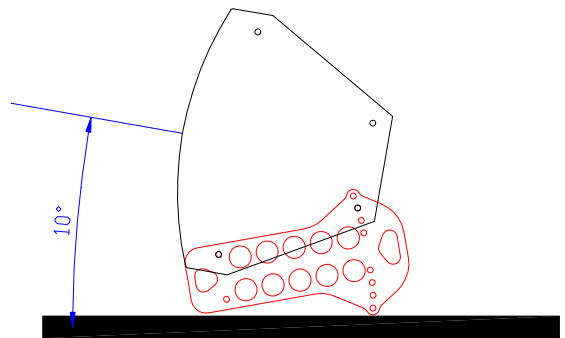
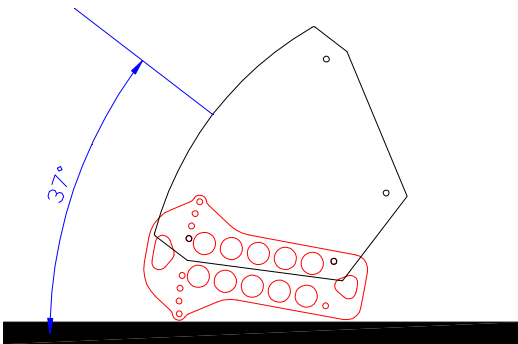
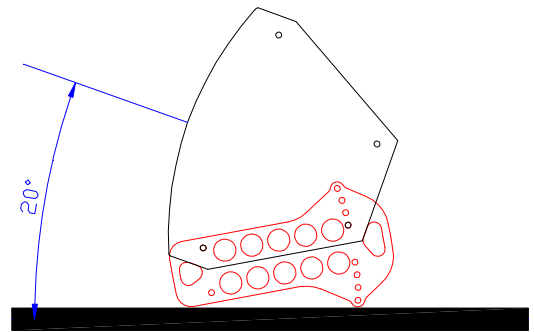
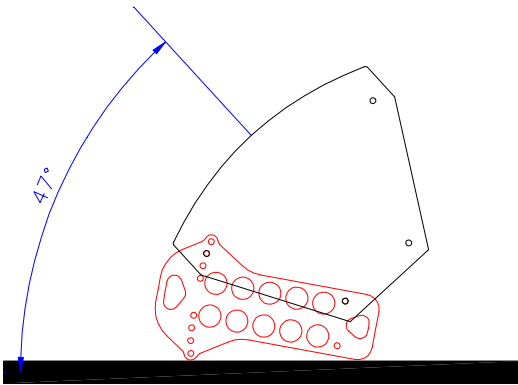
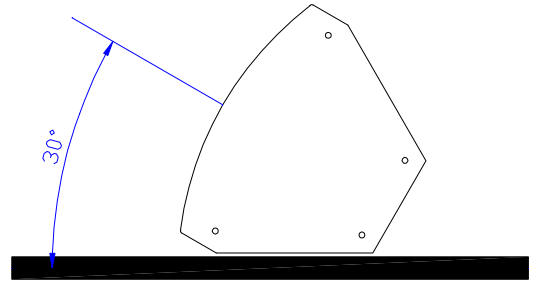
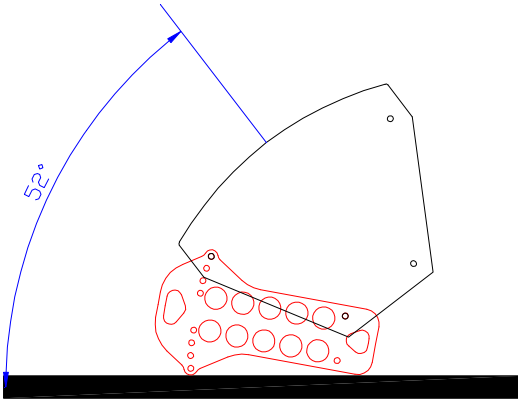
zenith applications



wall applications

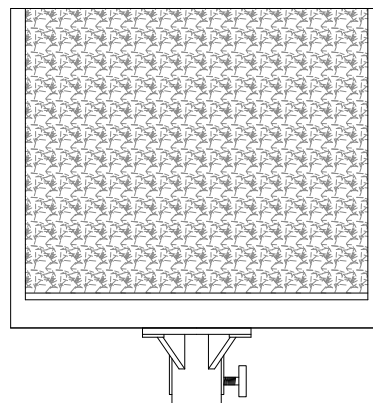
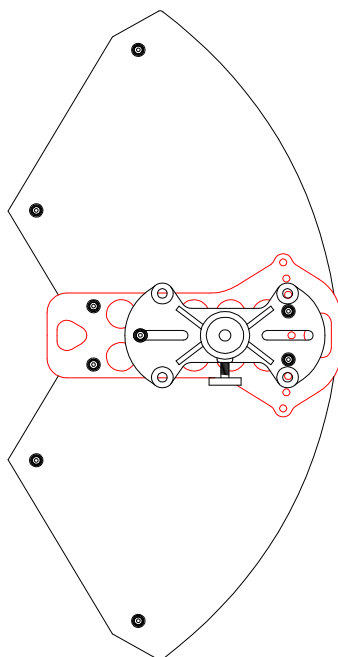
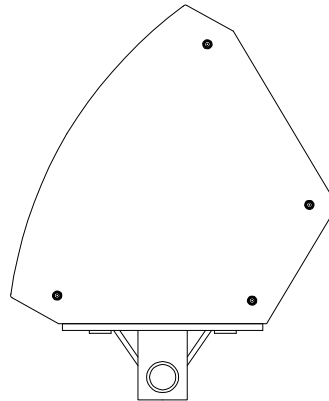
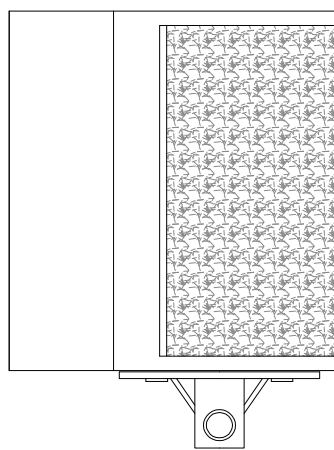
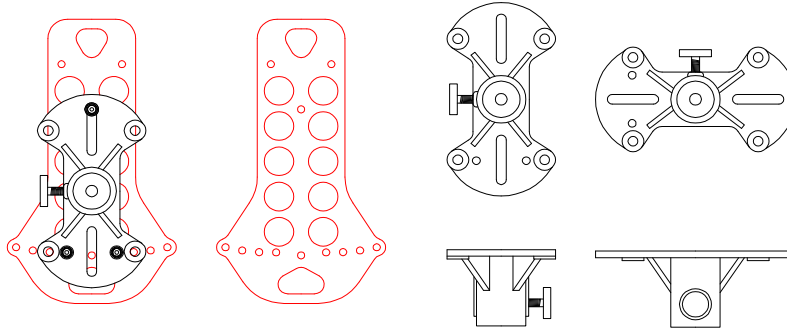


Floor applications

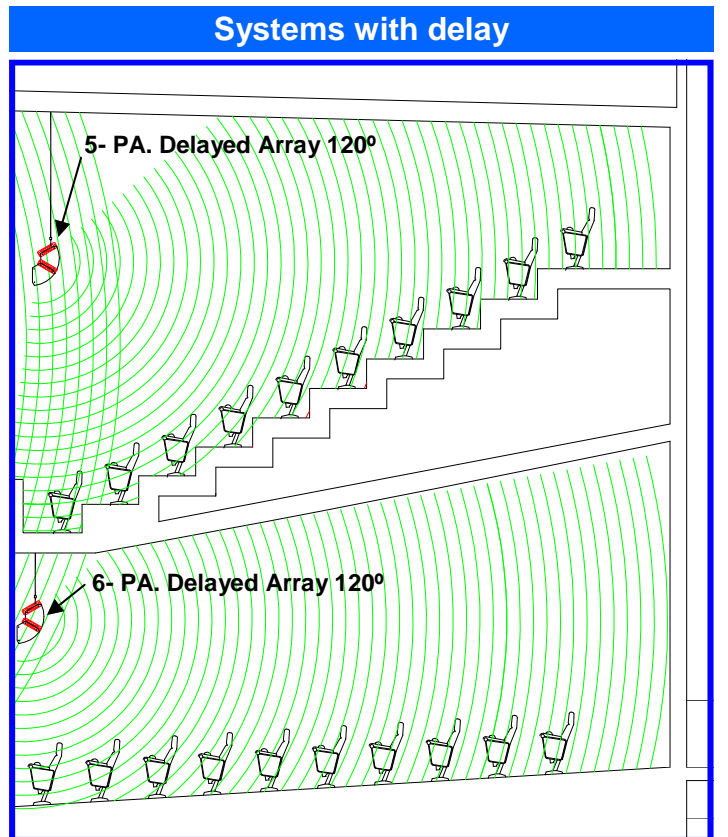
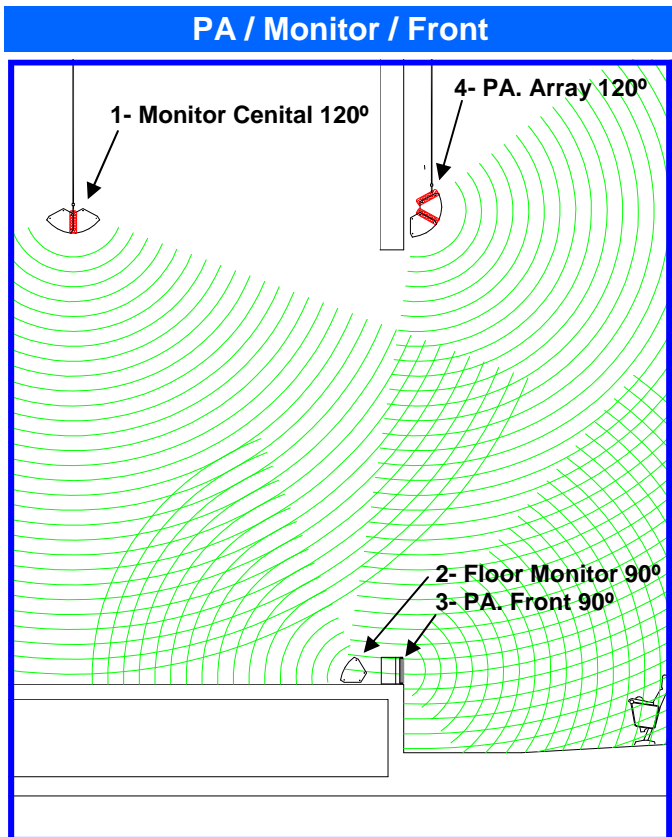
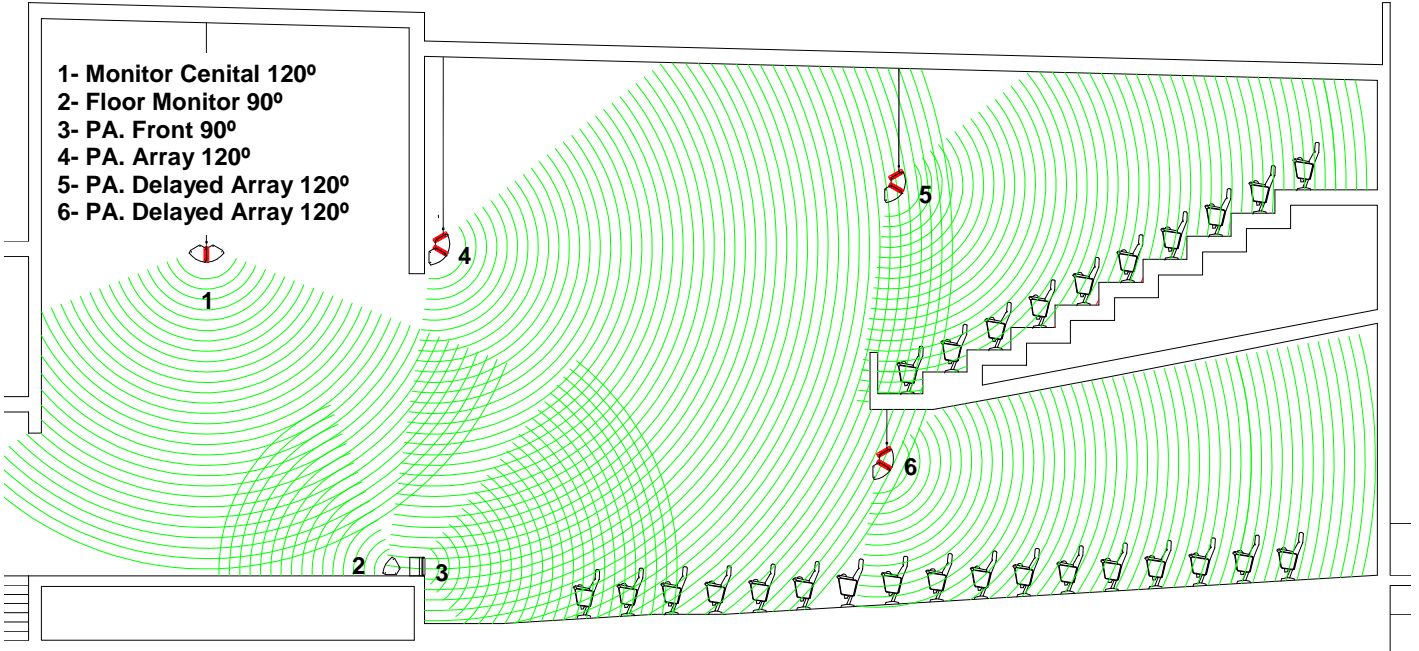




**Tripod mount applications**



**Applications**



**Table of sound pressure**

<b>MAX SPL PEAK (dB):</b>	133	127	121	115	109	103	97	91
<b>MAX SPL CONTINUOS (dB):</b>	127	121	115	109	103	97	91	85
<b>DISTANCE (mts):</b>	1	2	4	8	16	32	64	128





PA system of two lines of 300 volts 3000 watts

