

El Z-26/F es un nuevo producto de la marca TSA, perteneciente a la serie Star.

Se trata de un sistema Line Array extraplano, que aporta soluciones y ventajas, en donde el espacio y el peso son una dificultad.

Sin el Hardware: la unidad cúbica 46,6 litros, pesa 14 kg, y solo tiene una profundidad de 16 cm.

Es capaz de entregar una presión sonora de 129 dB MAX SPL CONTINUOS y 135 dB PICO.

Monta un sistema de apertura vertical de 7° con intervalos de 1° y su cobertura horizontal es de 90°.

Su respuesta en frecuencia es de 80 – 20.000 Hz. Y va apoyado con la unidad de subgraves auto amplificada AM-3515.

El sistema de potencia clase "D" que incorpora el modelo AM-3515, es capaz de alimentar en estéreo a el mismo, a otra unidad idéntica pasiva (G-15S), mas 2 unidades Z-26. Todo esto controlado a través un DSP interno.

The Z-26/F is a brand new product from TSA, part of the Star Series.

This is a super plane Line Array system, which provides solutions and benefits, where space and weight are a problem.

Without the Hardware elements: Its volume is 46.6 liters, weighs 14 kg, and only has a depth of 16 cm.

It can deliver a sound pressure of 129 dB max SPL and 135 dB CONTINUOUS PEAK.

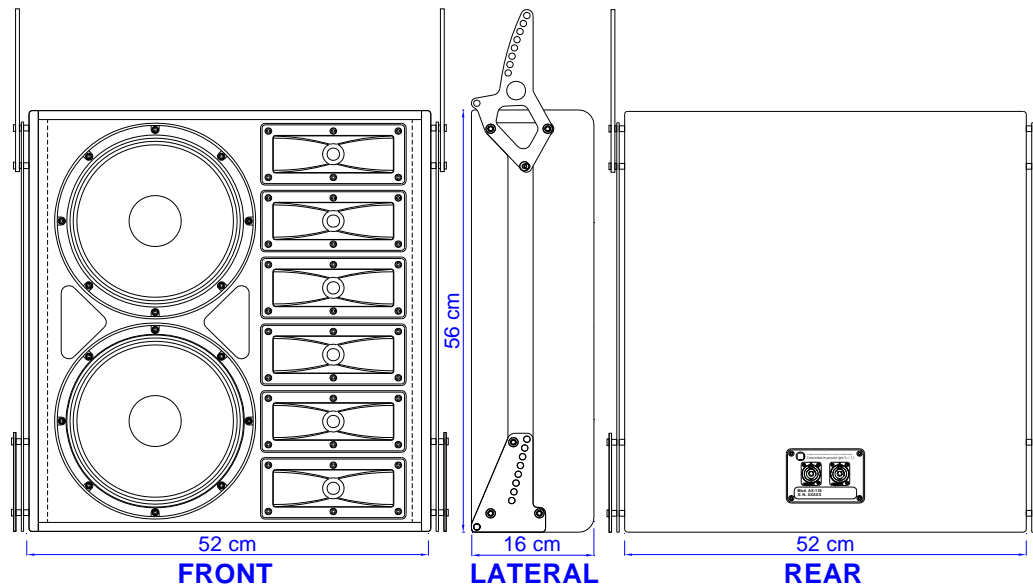
The vertical coverage rigging system opens up to 7° with 1° steps and the horizontal coverage is 90°.

Its frequency response is 80-20000Hz. And the unit is supported with a self powered subwoofer AM-3515.

The power system class "D" that incorporates the AM-3515 is capable to feed itself, another passive identical unit (G-15S), plus 2 units Z-26. All this controlled by an internal DSP.







Technical Specifications

System Description:

2 Way LINE ARRAY system

Frequency Response (+3dB -10dB).

de 100 a 20,000Hz.

Horizontal Coverage (-6dB).

90°

Vertical Coverage only one unit (-6dB).

Depends on configuration

Closed Array Configurations

MAX SPL (calculated for 1 unit). Continuous:

127dB. Peak: 135dB.

MAX SPL (calculated for 2 units). Continuous:

133dB. Peak: 141dB.

MAX SPL (calculated for 4 units). Continuous:

139dB. Peak: 147dB.

Maximal Curvature array Configurations

MAX SPL (calculated for 1 unit). Continuous:

129dB. Peak: 135dB.

MAX SPL (calculated for 2 units). Continuous:

133dB. (12°) Peak: 139dB.

MAX SPL (calculated for 4 units). Continuous:

137dB. (24°) Peak: 143dB.

Array System

Feature:

2X 10" Loudspeakers + 6 drivers

Frequency range.

From 80 to 20,00Hz.

Axial Sensitivity (dB SPL, 1 Watt @ 1m)

100 dB.

Power Handling (Watts AES)

600 Watt

Power Handling (Watts Continuous)

1.200 Watt

MAX SPL continuous.

127 dB.

MAX SPL (peak).

135 dB.

Enclosure

Rigging Hardware.

Optional

Vertical angles range between units

0° to 7° (1° degree increments)

Dimensions.

W: 52 cm. H: 56 cm. D: 16 cm.

G. Weight

15 kg.

Front Protection

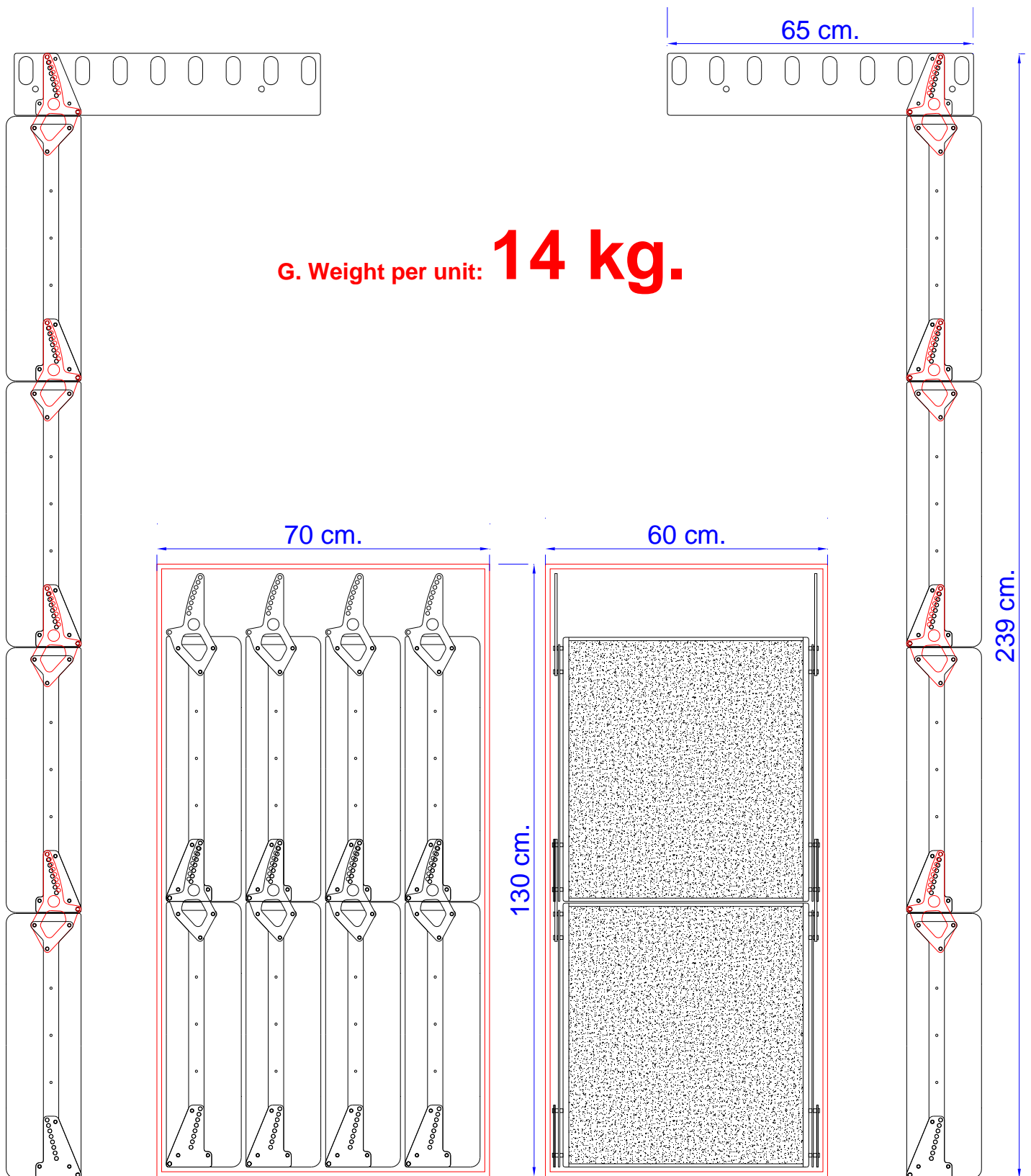
Steel coated grill with special foam filter

Constructed:

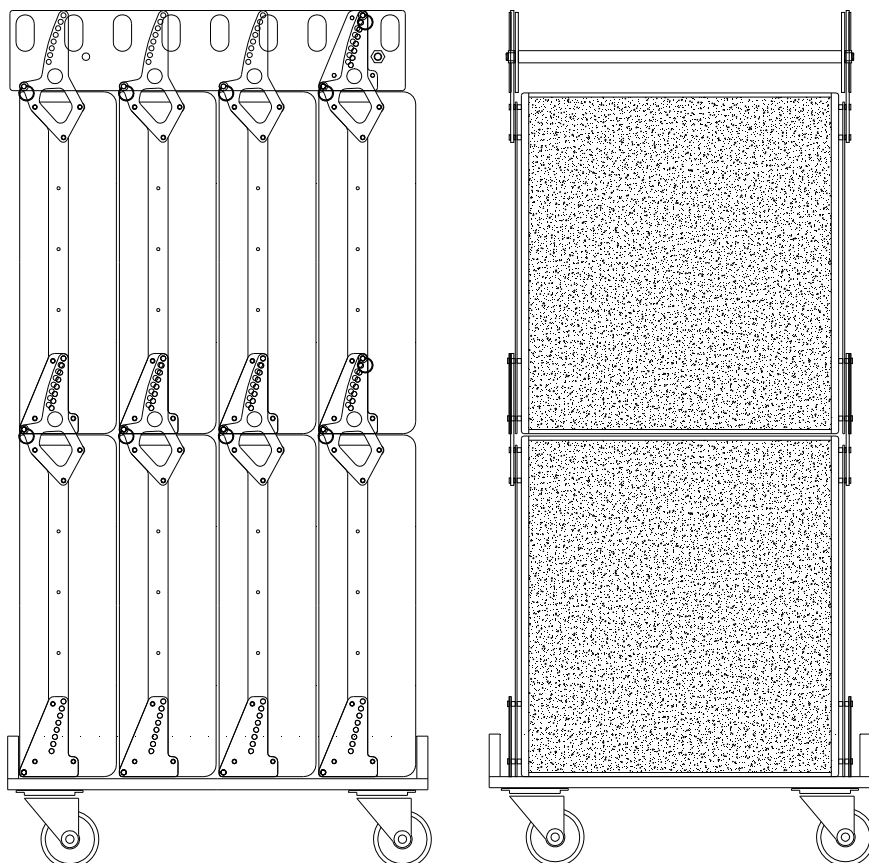
Built in Finland Birch plywood

Finish:

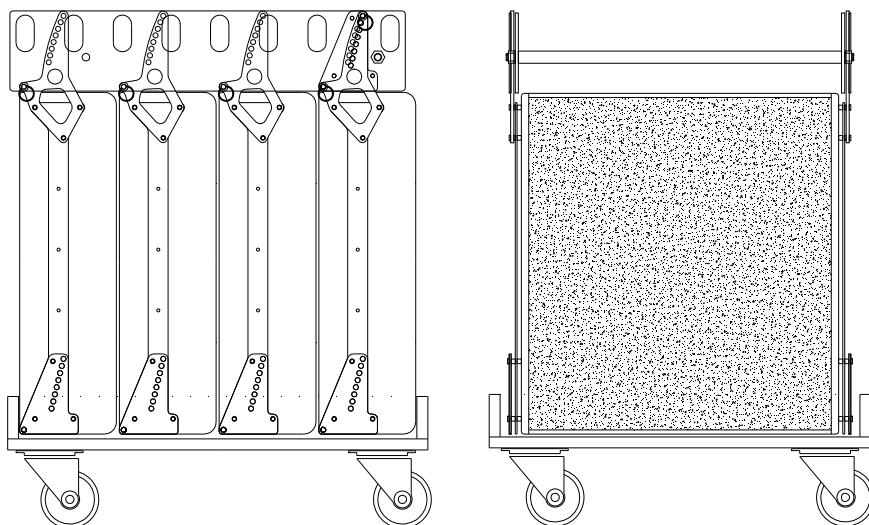
Black fine textured Warnex (No toxic components)



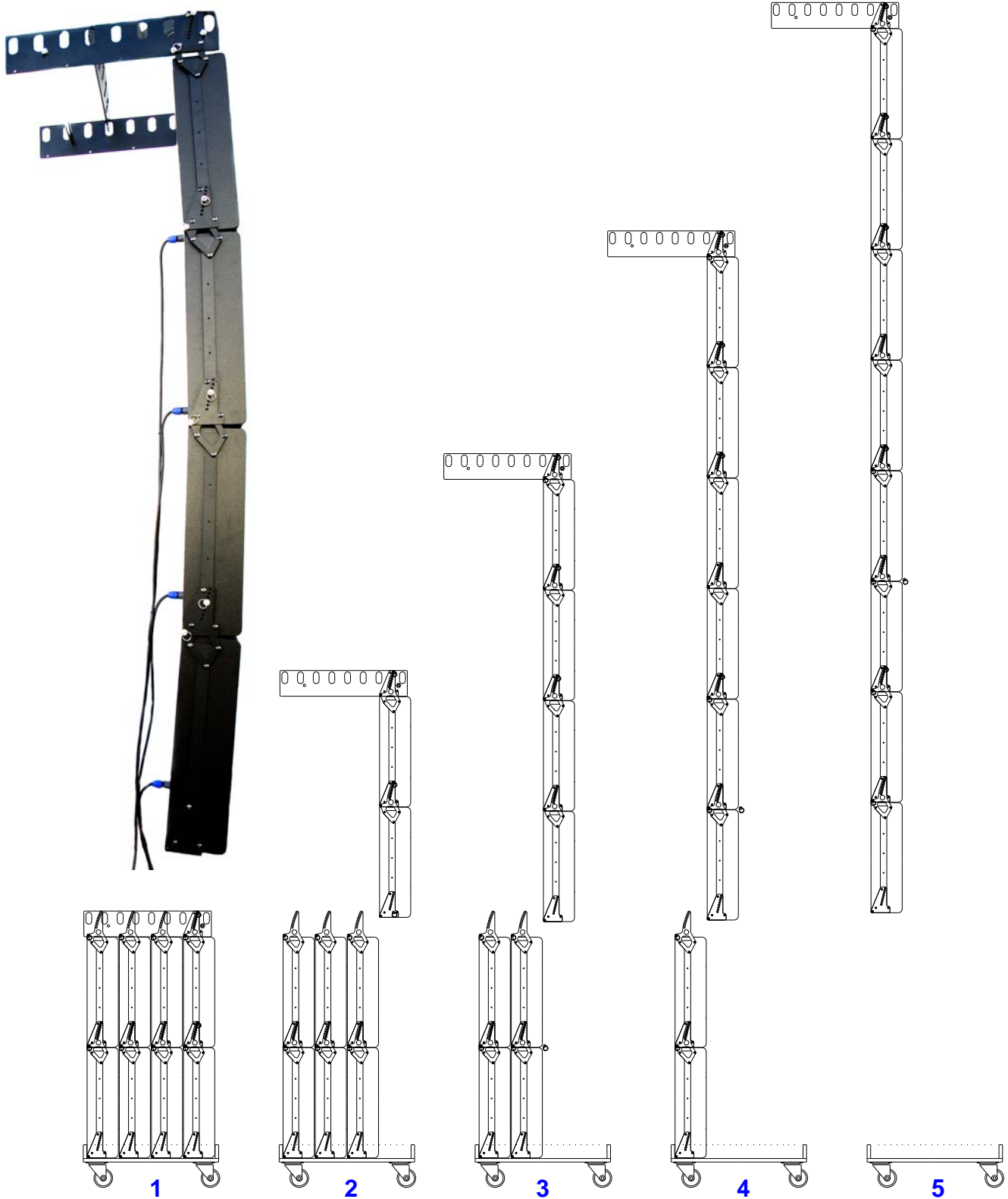
TRANSPORT SYSTEM FOR 8 UNITS



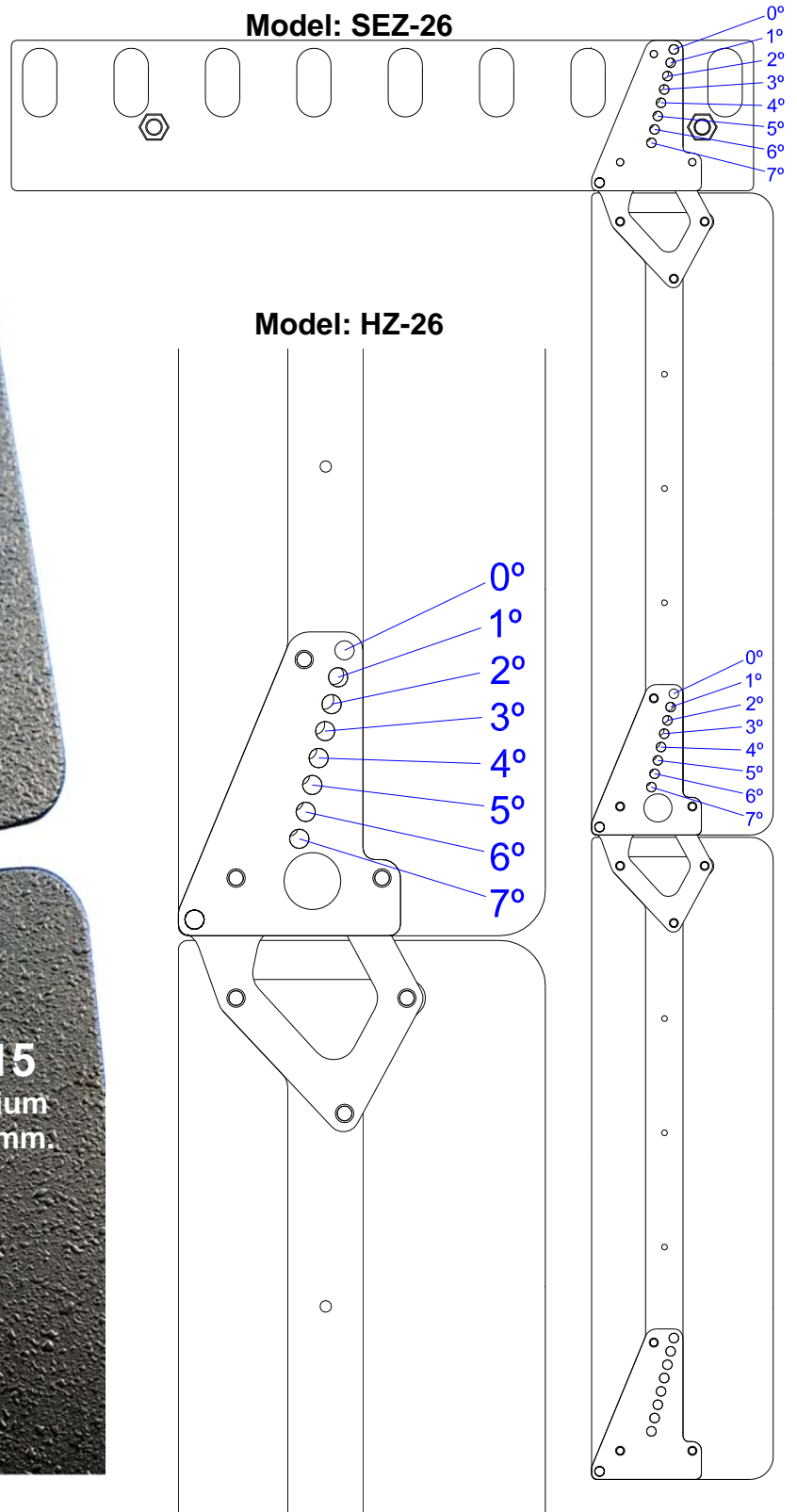
TRANSPORT SYSTEM FOR 4 UNITS



TRANSPORT & FLYING FOR SYSTEM TO 8 UNITS Z-26/F

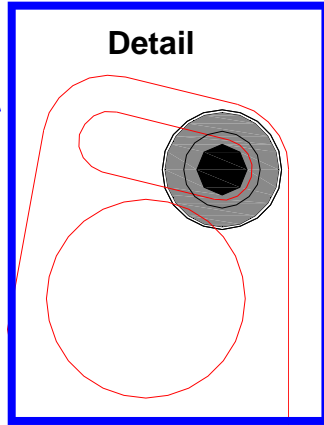
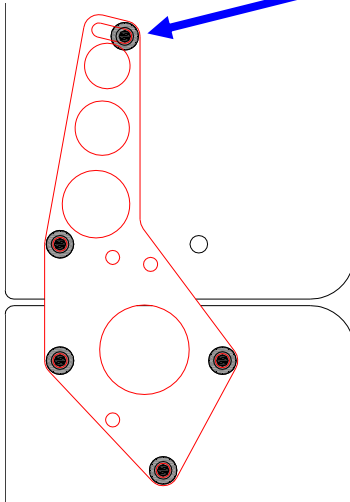


MODEL: HZ-26 for VERTICAL COVERAGE (TOURING HARDWARE)

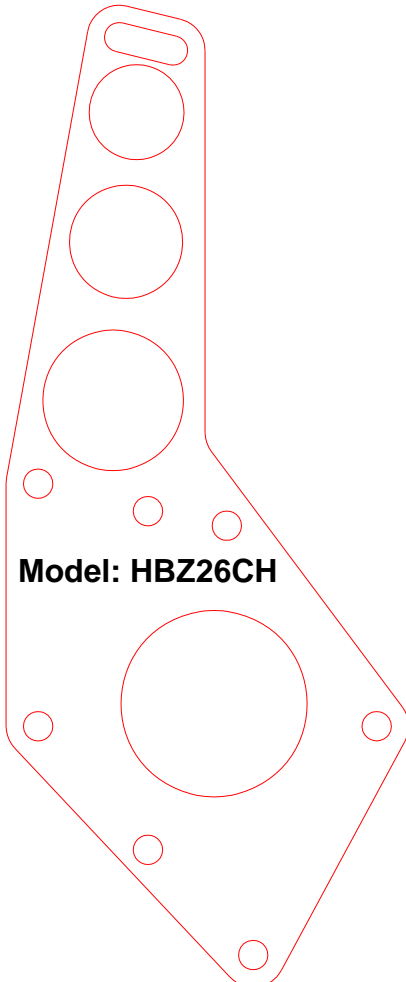
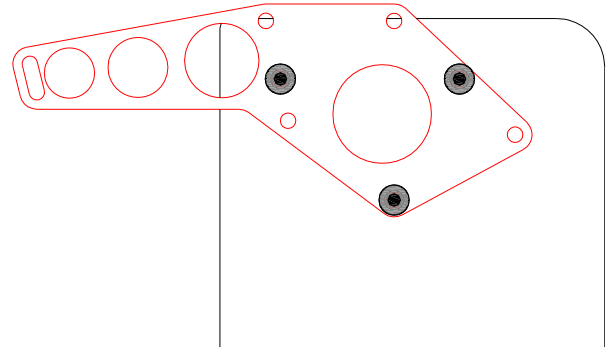


MODEL: HBZ26CH for VERTICAL COVERAGE (FIXED INSTALATION)

HBZ26CH Application
change vertical angle
(from 0° to 7°)



HBZ26CH Application Bumper



Model: HBZ26CH

